

Tubular Elements available in:

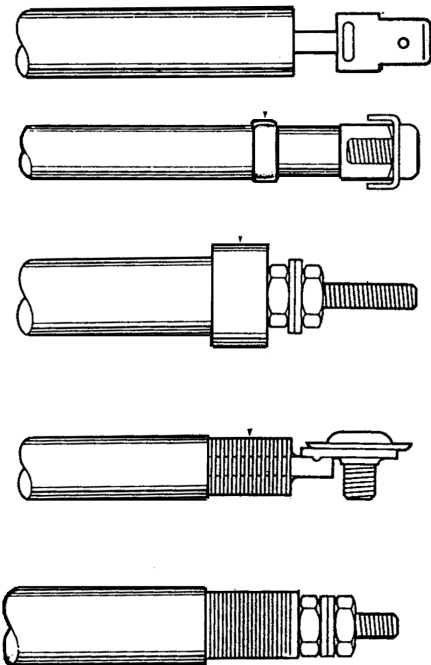
Inconel
Incoloy
Steel
Copper
Stainless Steel

Basic sheath recommendation

- copper is ideal for heating water.
- steel for immersion heaters & circulation or non-circulating oil, wax, parafins or heavy compounds (tar, asphalt).
- Stainless steel is specified for resisting corrosive substances on equipment for food processing and in other applications.
- Incoloy is very useful as an alternative to steel, in heating solutions that involve corrosive chemicals, and also for heating air.
- Incoloy can be cast in aluminum.

How to Order

- 1) Specify voltage/wattage.
- 2) Specify heated length.
- 3) Specify cold zone for each end.
- 4) Specify sheath metal.
- 5) Submit forming design, if needed.



Screw terminal

Epic Heat and Power Sales

5501 Carriageway Drive
Unit 309 Rolling Meadows, Illinois 60008
Telephone: (847) 222-9473
FAX: (847) 307-7958
email: sales@epicindustrialheater.com
<http://www.epicindustrialheater.com>