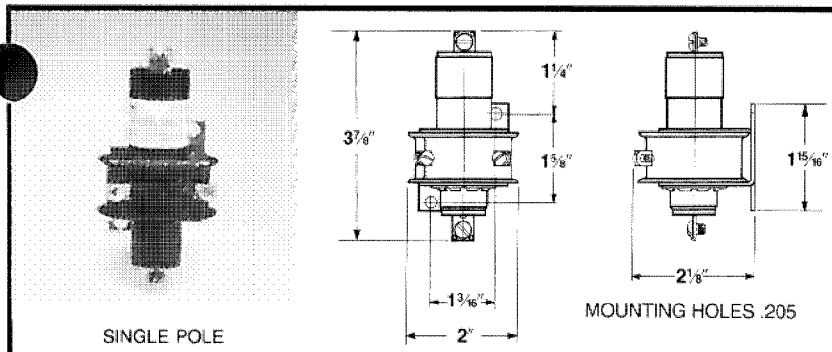
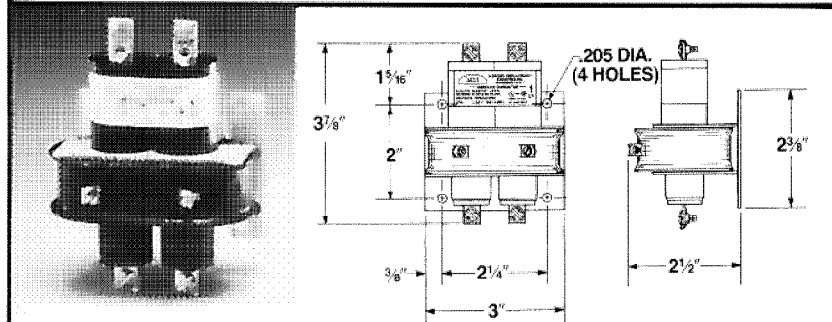


30-AMP NORMALLY OPEN CONTACTORS

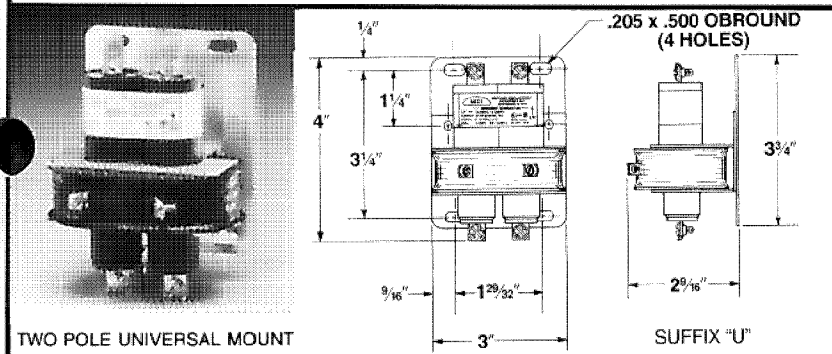
GENERAL INFORMATION



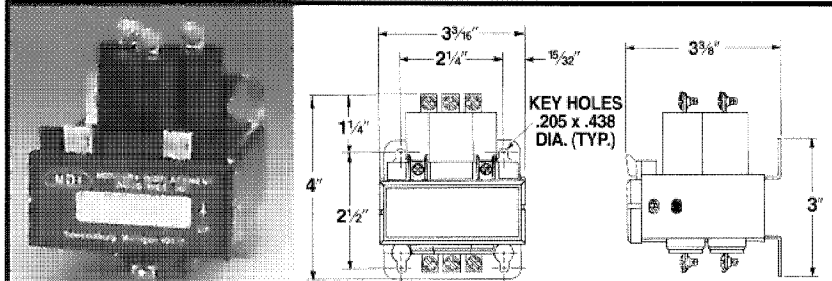
SINGLE POLE



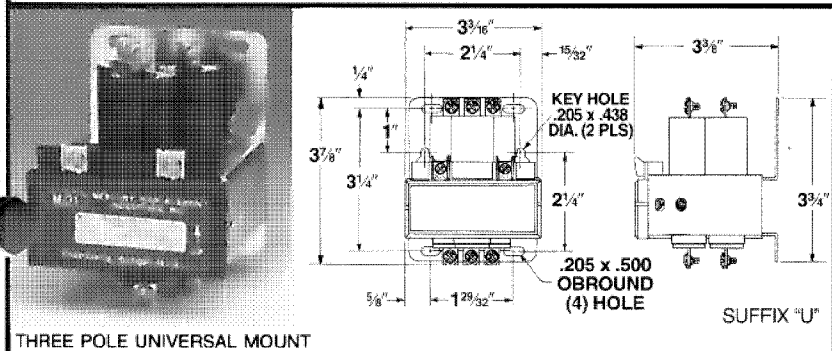
TWO POLE STANDARD MOUNT



TWO POLE UNIVERSAL MOUNT



THREE POLE STANDARD MOUNT



THREE POLE UNIVERSAL MOUNT

The 30 Amp model is designed to save space and simplify mounting methods. The standard mounting bracket on the three pole model allows the unit to be mounted in standard 3" snap track channel. If you do not use snap track mounting, the standard three pole bracket has key hole slots for easy mounting in any panel arrangement. The universal three pole mounting bracket has various mounting holes and key hole slots to meet a variety of mounting centers.

The 30 Amp series is a more compact line with a well proven switch which is the heart of mercury relays. It is the same switch design that is in our 35 and 60 Amp encapsulated MDR's, which have withstood the test of time and millions of cycles in many different applications.

TYPICAL SPECIFICATIONS

- ON NORMALLY OPEN UNITS:
OPERATE TIME: 50 milliseconds
RELEASE TIME: 80 milliseconds
- CONTACT RESISTANCE:
30-AMP = .003 ohm *
- DIELECTRIC WITHSTAND:
2500 VAC RMS
- LONGEVITY:
MILLIONS OF CYCLES
- TEMPERATURE RANGE:
-35°C TO 85°C
- COIL TERMINALS:
#6 BINDING HEAD SCREWS
- LOAD TERMINALS:
#8 BINDING HEAD SCREWS
- UL LISTING: FILE #E62767
- C.S.A.: FILE #LR41198
- TO ORDER SEE PAGE 4



* AFTER CYCLING UNDER LOAD.

COIL DATA

CATALOG NO.	COIL RESISTANCE (OHMS)	COIL CURRENT (MILLIAMPS)	VA	WATTS
30NO-24D	180	133	3.2	3.2
230NO-24D	131	188	4.5	4.5
330NO-24D	73	329	7.9	7.9
30NO-24A	28	316	7.6	2.8
230NO-24A	12.5	610	14.6	4.7
330NO-24A	7.6	815	19.6	5.0
30NO-120A	725	65	7.8	3.1
230NO-120A	317	118	14.2	4.4
330NO-120A	210	163	19.6	5.6
30NO-220A	3150	27	6.0	2.2
230NO-220A	1300	56	12.3	4.1
330NO-220A	728	86	18.9	5.5